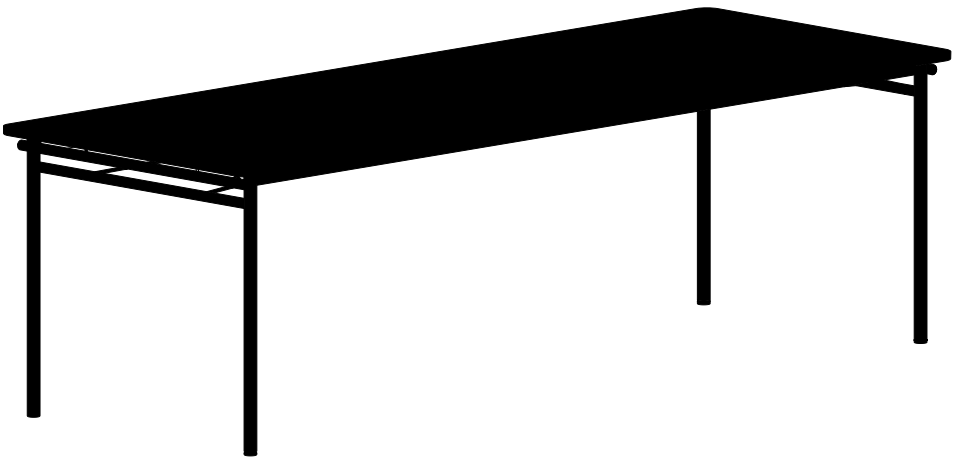


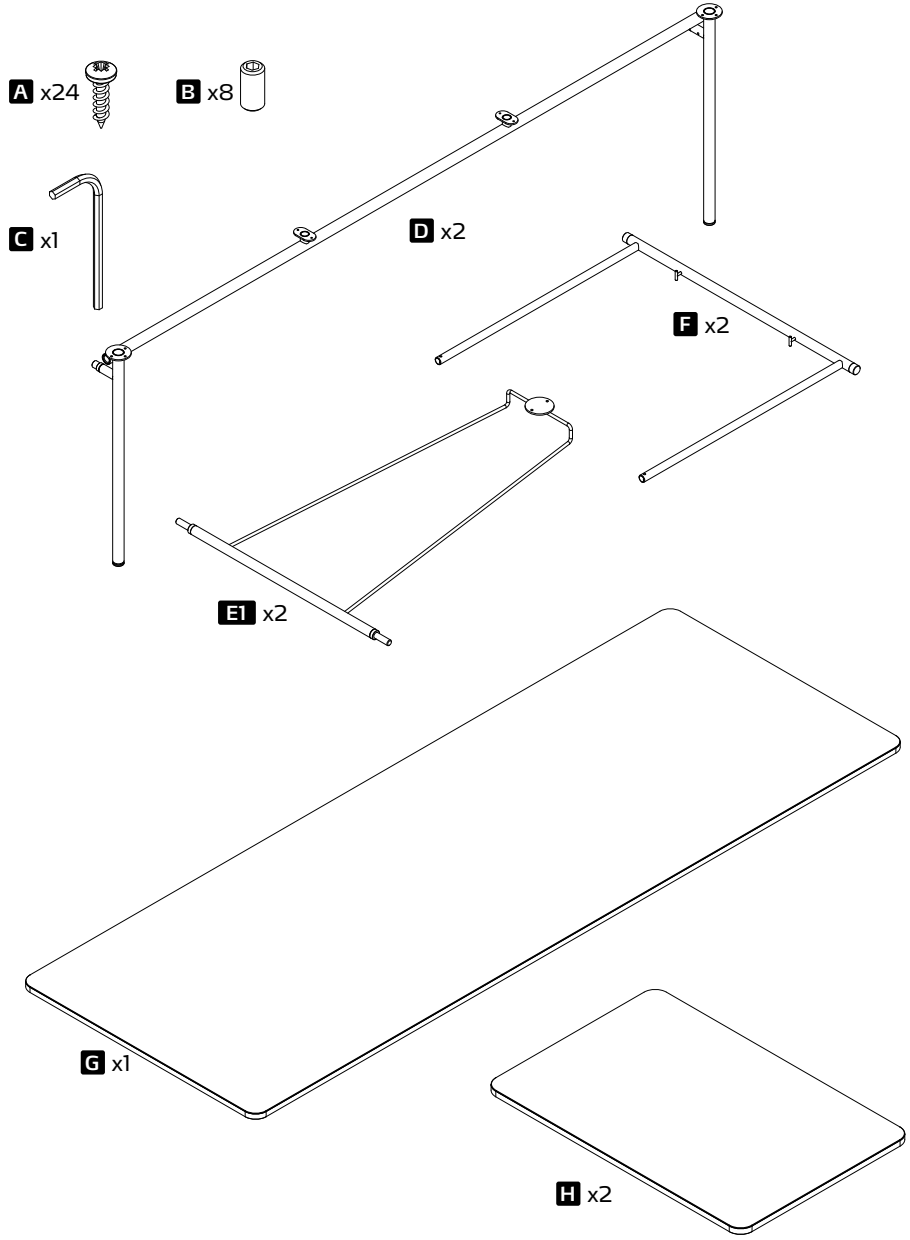
eva solo

Design by
Thomas Pedersen



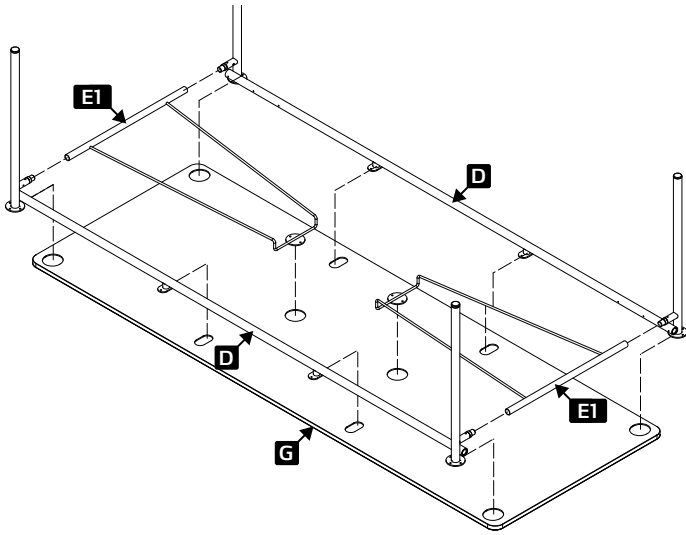
Taffel table 90 x 250cm

ASSEMBLY INSTRUCTION



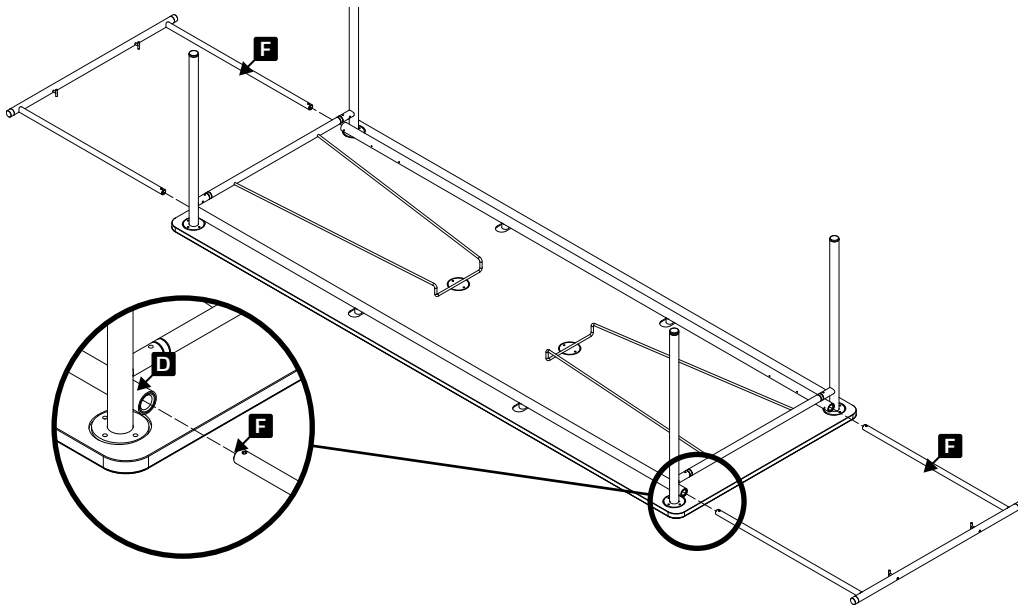
1

Connect parts **D** & **E1** and position up-side-down on the bottom side of the tabletop **G**.



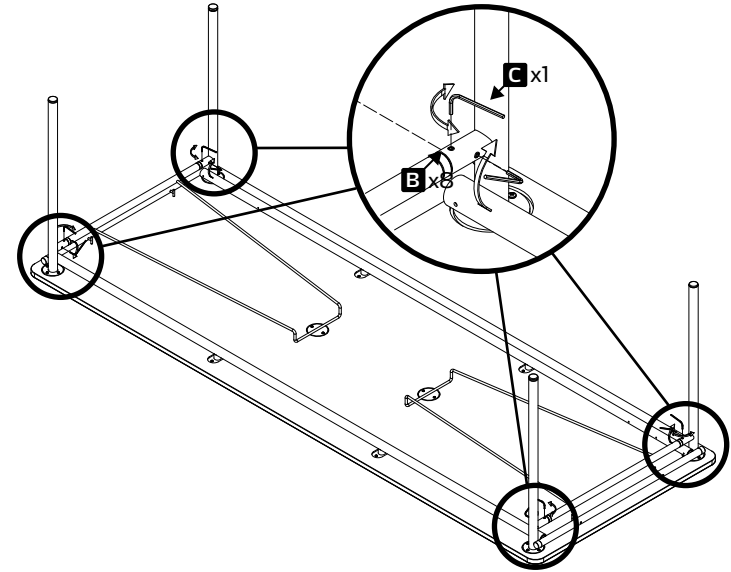
2

Force parts **F** into the longitudinal tubes of the part **D** until fully closed. Expect 3 distinctive "clicks" along the way.



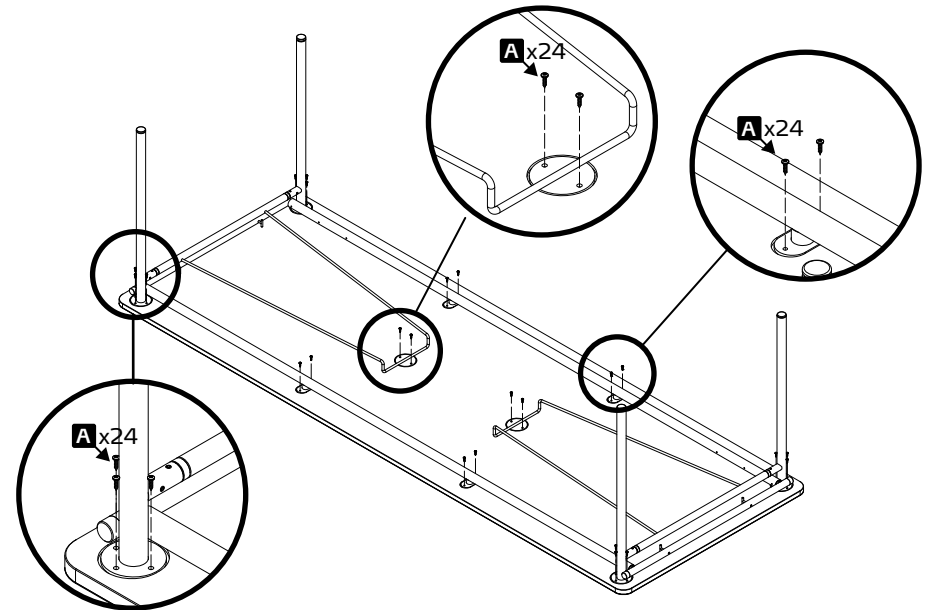
3

Screw and tighten part **B** only if part **F** is fully closed.



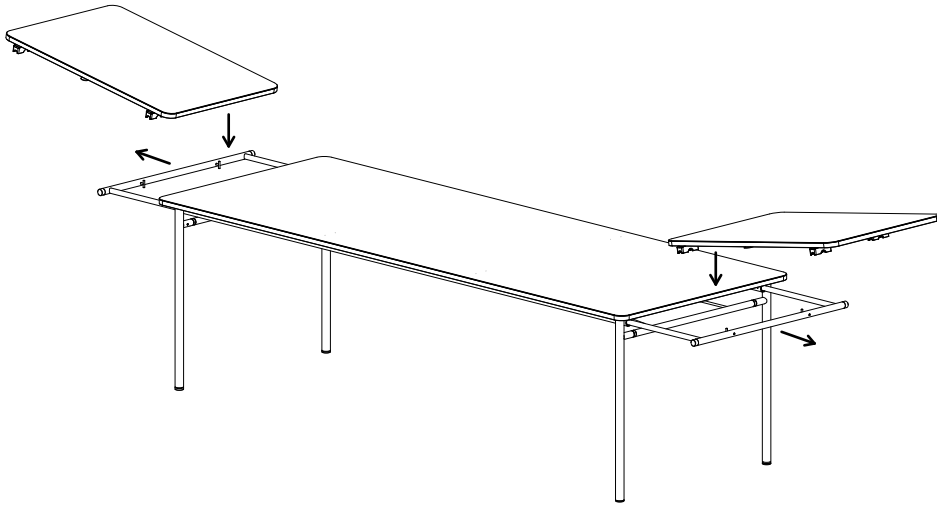
4

Use parts **A** to fix the frame to the table top **G**.



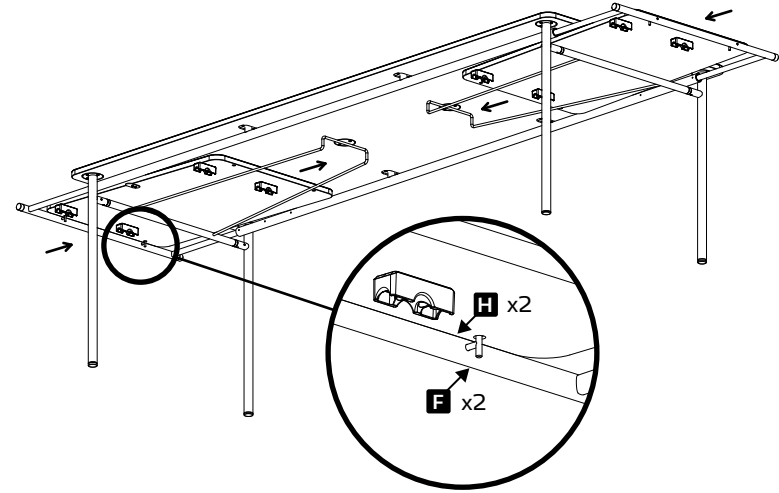
5

Turn the table the right way up and extend part **F**.



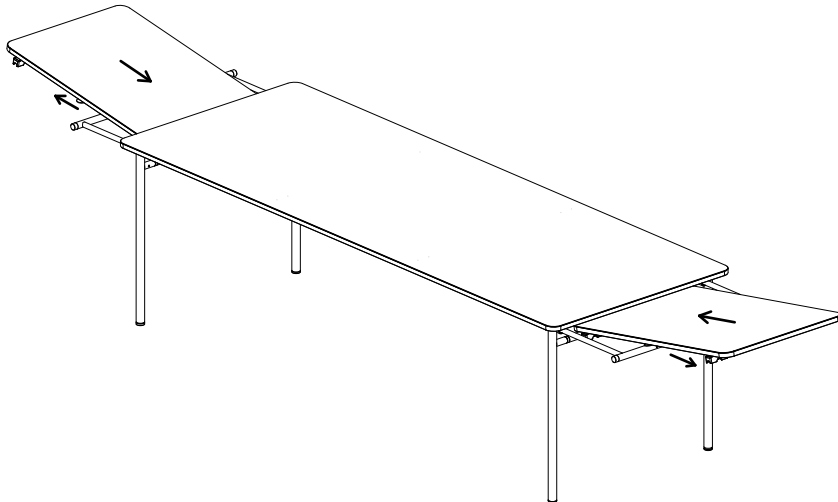
7

Holes on the side tabletops **H** should find the hooks of the parts **F**.



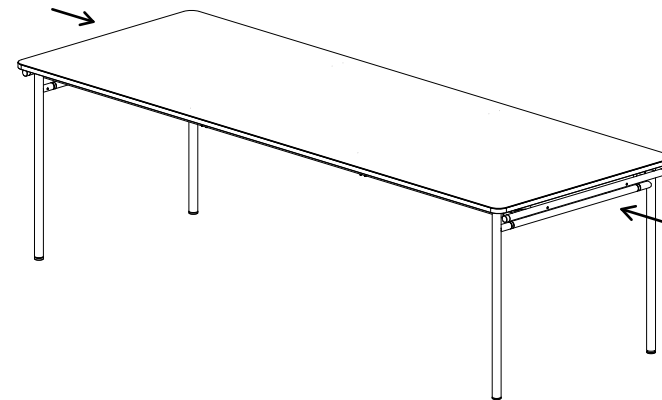
6

With fully extended parts **F** lower the side tabletops **H** rotated longitudinally onto the supports of the parts **E**.



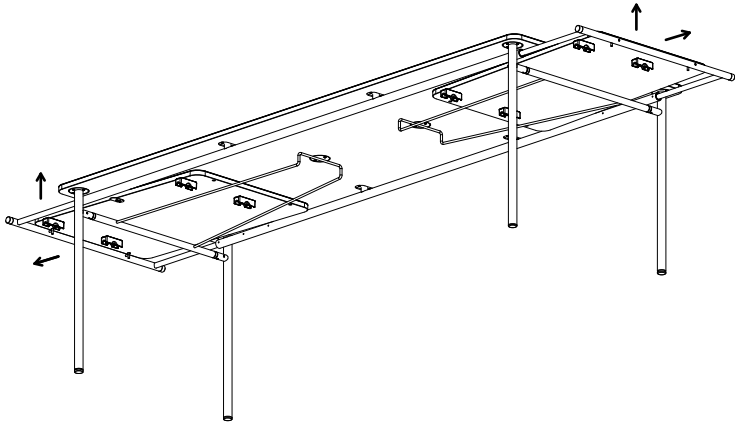
8

Push to close the parts **F** to hide the side tabletops **H** under the table.



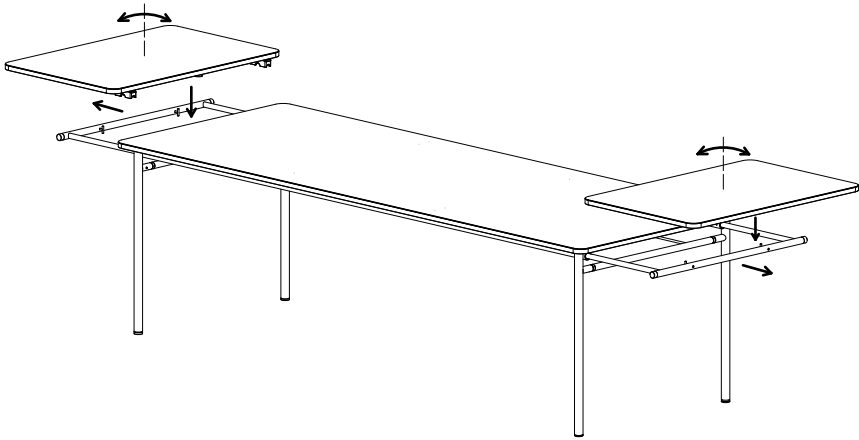
9

Fully extend parts **F** and take out the side tabletops **H**.



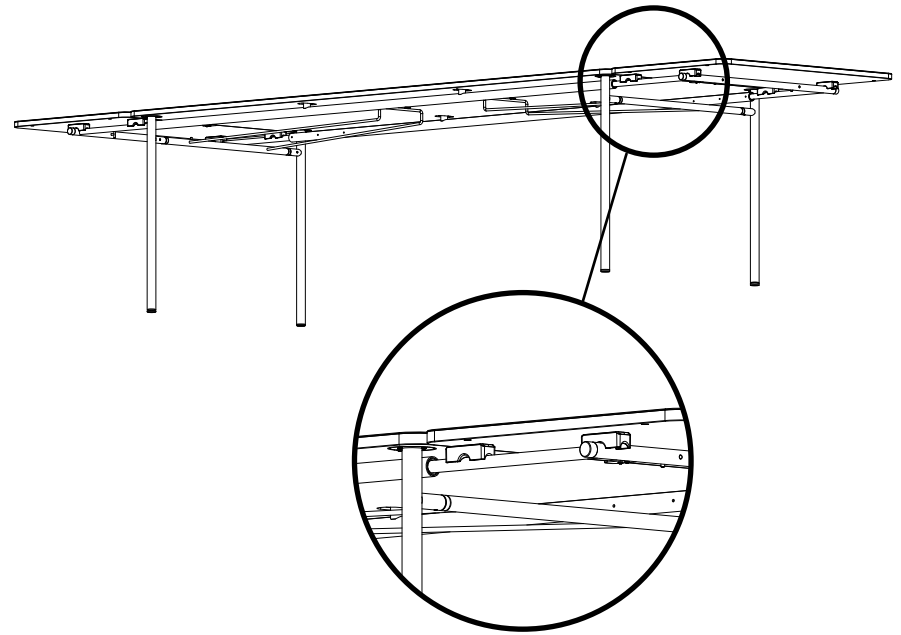
10

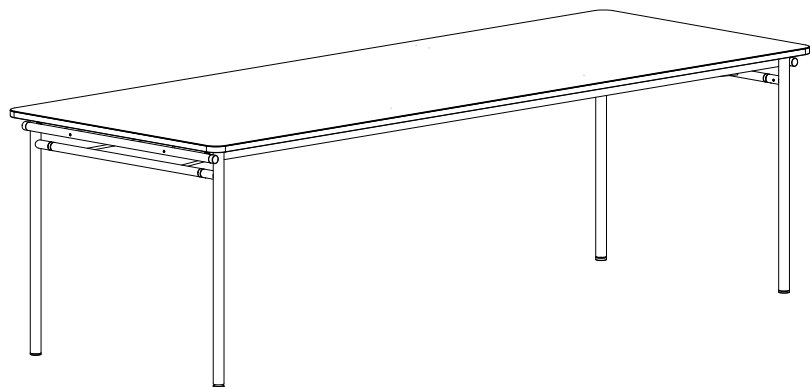
Rotate side tabletops **H** for 90° with plastic spacers facing the table. Position side tabletops **H** on the fully extended parts **F**.



11

Push parts **F** inwards to close the gap between side tabletops **H** and tabletop **G**. Side tabletop is now locked in place.





Care and maintenance

Keeping the product in a good condition prolongs its lifespan.

Avoid unnecessary damage by following the guide below.

- Remove stains immediately to avoid permanent damage of the surface.
- Place the product in a humidity and temperature stable environment, avoiding direct sunlight.
- Use coasters when placing hot or cold items on the surface.
- Avoid placing heavy objects on the product.
- Tighten screws after one month of usage.
- Avoid using sharp or hard objects on the product, as they might scratch or damage the surface.
- Avoid pushing or pulling the product, when moving it, as this might damage the floor and the product.

Laminate and veneer

Clean with a damp cloth and pH-neutral detergent. For regular maintenance of the surface finish, we recommend a linoleum care product such as Monel's. Apply this at regular intervals. For soiled surfaces, use a pH-neutral special detergent in the recommended solution such as Forbo Cleaner. After cleaning, wash the surface with clean water. To finish, apply a linoleum care product.

Steel

- Wipe with a moist clean cloth wrung in water or in a solution of mild soap and water. Remove any residue immediately using a clean dry cloth.
- Avoid using scouring cream or scouring pads on the surface, as they might scratch or damage the surface.

Warranty

Eva Solo A/S guarantees that its products are free from manufacturing defects. The warranty covers materials and manufacturing defects, but not problems arising from incorrect use or natural wear and tear.

Complaints

Right of complaint in accordance with applicable legislation. No right of complaint in the case of damage caused by using the products in any way other than for its intended use, or caused by incorrect handling, normal wear, inadequate or incorrect maintenance or incorrect repairs as well as tampering with the products by unauthorised persons. Remember to retain the receipt/invoice as it must be produced in the event of a complaint. Please contact the shop where the product was purchased. Errors and omissions excepted.

Eva Solo A/S

Måløv Teknikerby 18-20
2760 Måløv
Denmark
Tel.: +45 36 73 20 60
www.evasolo.com

eva solo

www.evasolo.com